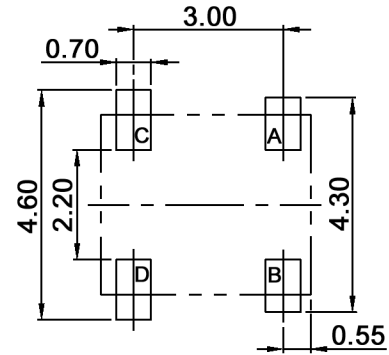
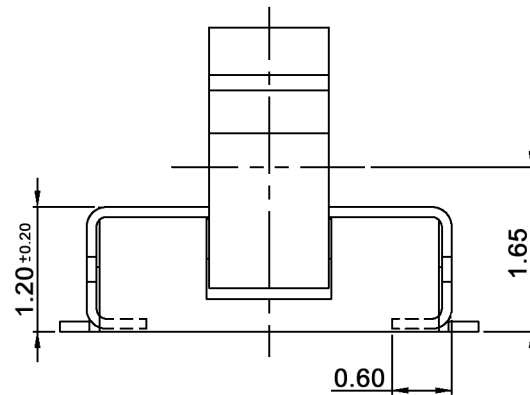
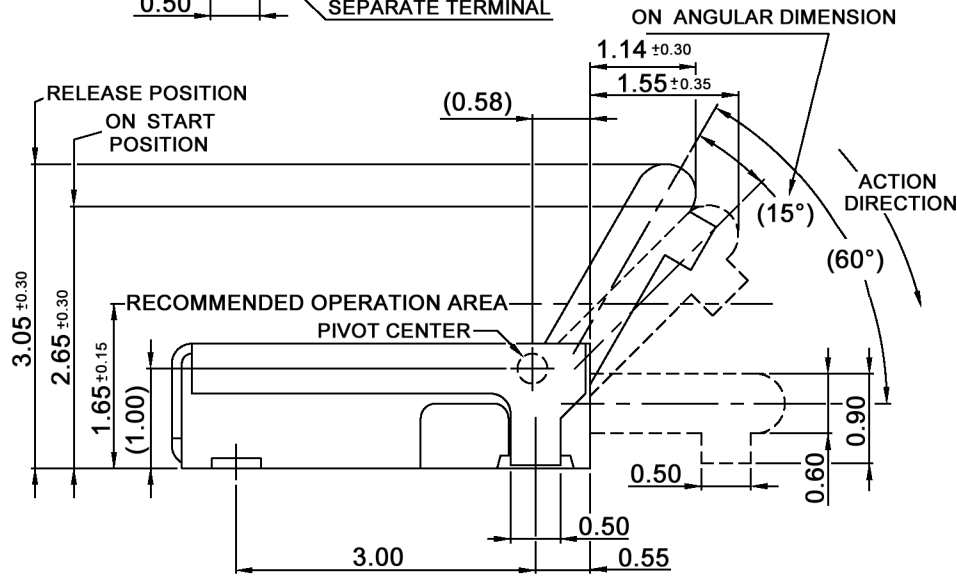
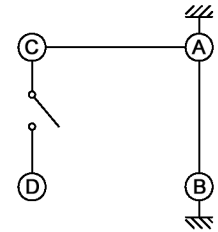


P.C.B. LAYOUT



CIRCUIT DIAGRAM



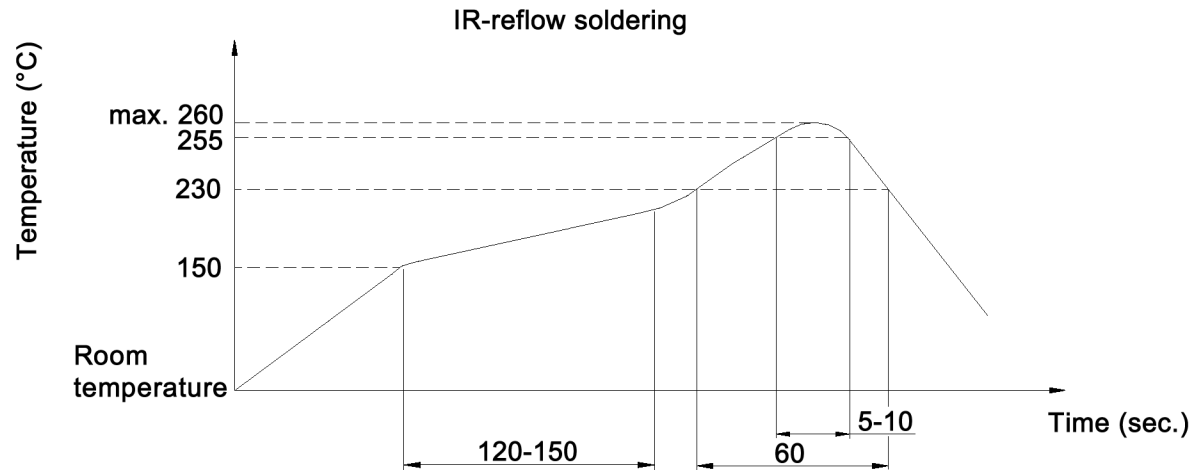
Compliance: RohS II (2011/65/EU)

Tolerances: max. ±0.20mm		Date	Name	<b>DTS 205 C-T</b>
		05/18	dr	
<b>knitter-switch</b>		<b>30 40 73</b>		Page
Modifications		Date	Name	1/2

**Specifications:**

**Contact rating:** 100mA, 3.6V DC to 10mA, 5V DC  
**Contact resistance:** 1Ohm max.  
**Insulation resistance:** 100MOhm min. at 100V DC for 1 minute  
**Dielectric strength:** 100V AC (50Hz or 60Hz) for 1 minute  
**Operating temperature:** -40°C to +85°C  
**Storage temperature:** -40°C to +85°C  
**Operating force:** 40gf max.  
**Mechanical life:** 100 000 cycles min.  
**Stop strength:** 1kg for 60sec.  
**Material:** Cover: nickel silver  
 Stem / base: high-temp. thermoplastic PA9T, black  
 Contact: alloy copper, gold plated  
 Terminal: brass, silver plated

**Soldering conditions:**



**Compliance: RohS II (2011/65/EU)**

Tolerances: max. ±0.20mm			Date	Name	<b>DTS 205 C-T</b>
			05/18	dr	
Modifications			Date	Name	

**knitter-switch**

**30 40 73**

Page

2/2